

# DESTINATION: PART BASED DATA MANAGEMENT WITH CMI



THE GLOBAL LANDING GEAR COMPANY



**Messier-Dowty**  
*sneema group*



# Competitive Technology Partner

- **Broad and diversified program experience**
- **Complete landing gear system expertise**
- **Worldwide customer support capability**
- **Advanced engineering capability**

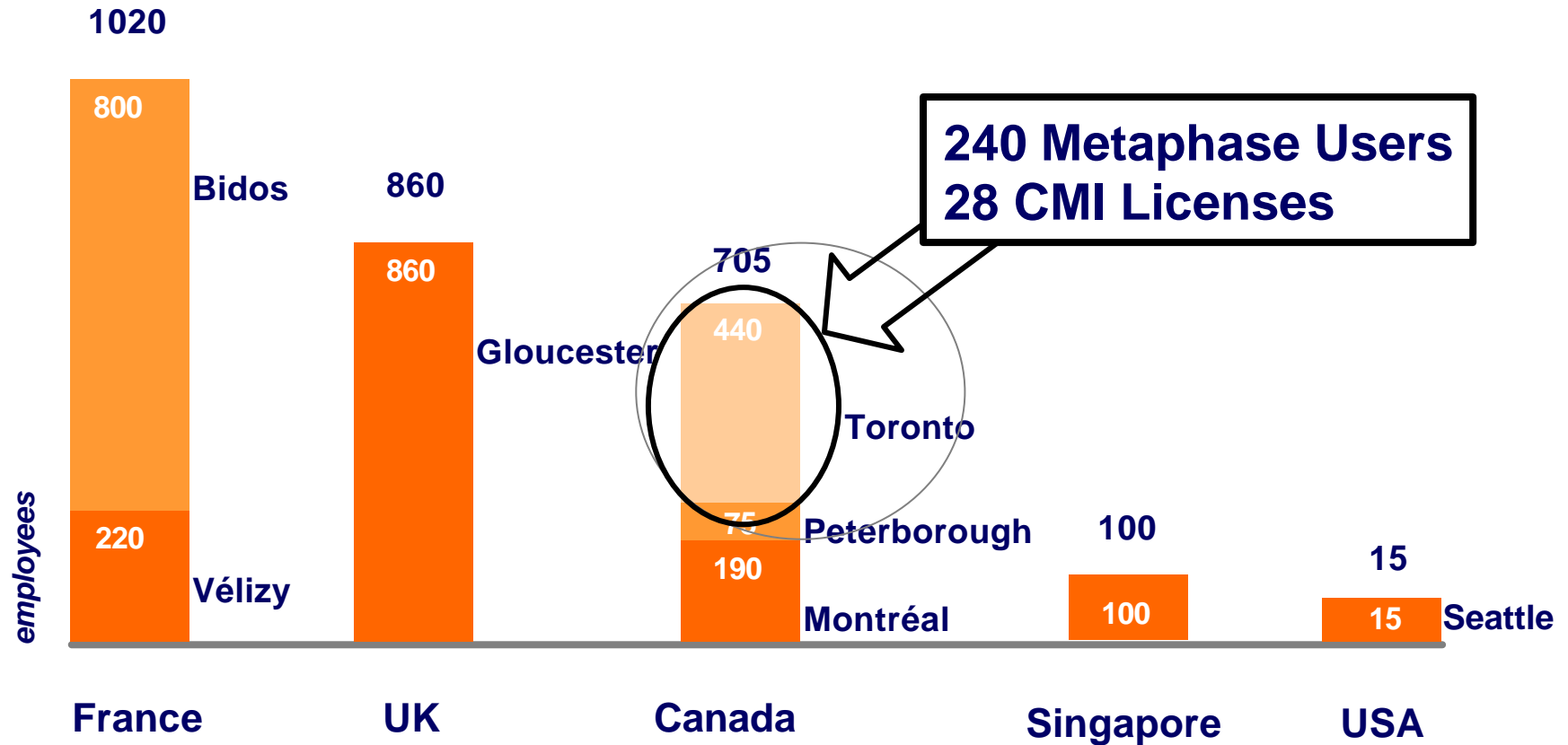
---

THE GLOBAL LANDING GEAR COMPANY

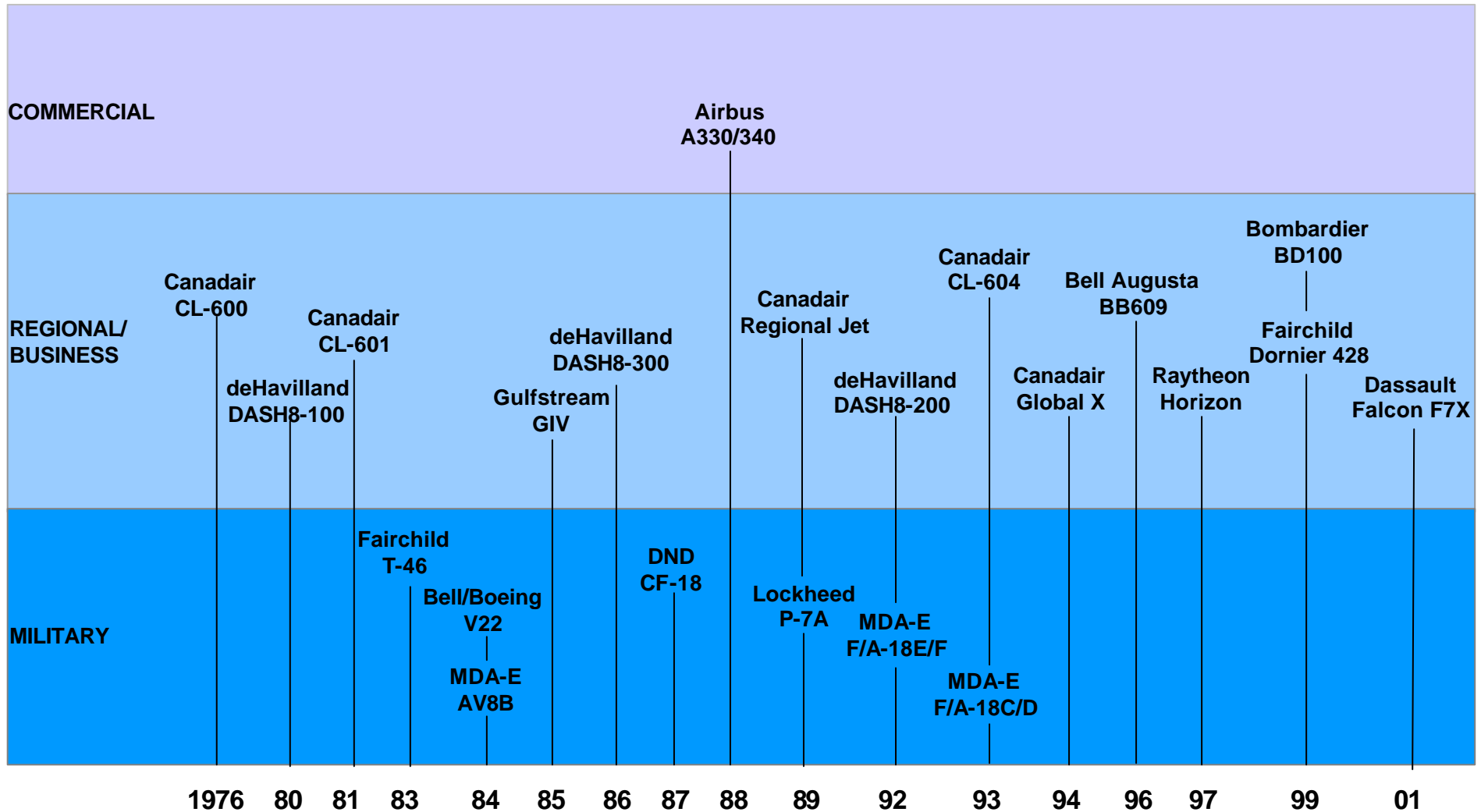


**Messier-Dowty**  
*sneema group*

# WORKFORCE AND OPERATIONAL SITES



# MESSIER-DOWTY PROGRAM HISTORY



# REGIONAL AND BUSINESS

## ATR

- ATR 42/ATR 72

## AVRO

- RJ
- Jetstream 61

## BOMBARDIER

- Dash 8
- Canadair RJ
- Challenger 600/601/604
- Global Express
- Continental Business Jet

## CASA

- C-295

## CASA/IPTN

- CN-235

## DASSAULT AVIATION

- Falcon 10, 20, 50, 50EX,
- Falcon 900, 900EX, 2000
- Falcon F7X

## FAIRCHILD DORNIER

- DO 328 /DO328J/ENVOY3

## EMBRAER

- EMB120

## FOKKER

- F 50 / F 60
- F 70 / F 100

## IPTN

- N-250

## RAYTHEON

- Hawker 800XP
- Hawker Horizon

## SOCATA

- TBM 700



# CAD ENVIRONMENT

- Diverse Customer Requirements
    - 15 Project Environments + 4 CATIA Versions
      - Airbus
      - Raytheon
      - Dassault
      - Bell
    - Bombardier
    - Boeing Military
- } - **CATIA** V4.2.0, V4.2.1, V4.2.2, V4.4.4
- } - **ICEM 2000**

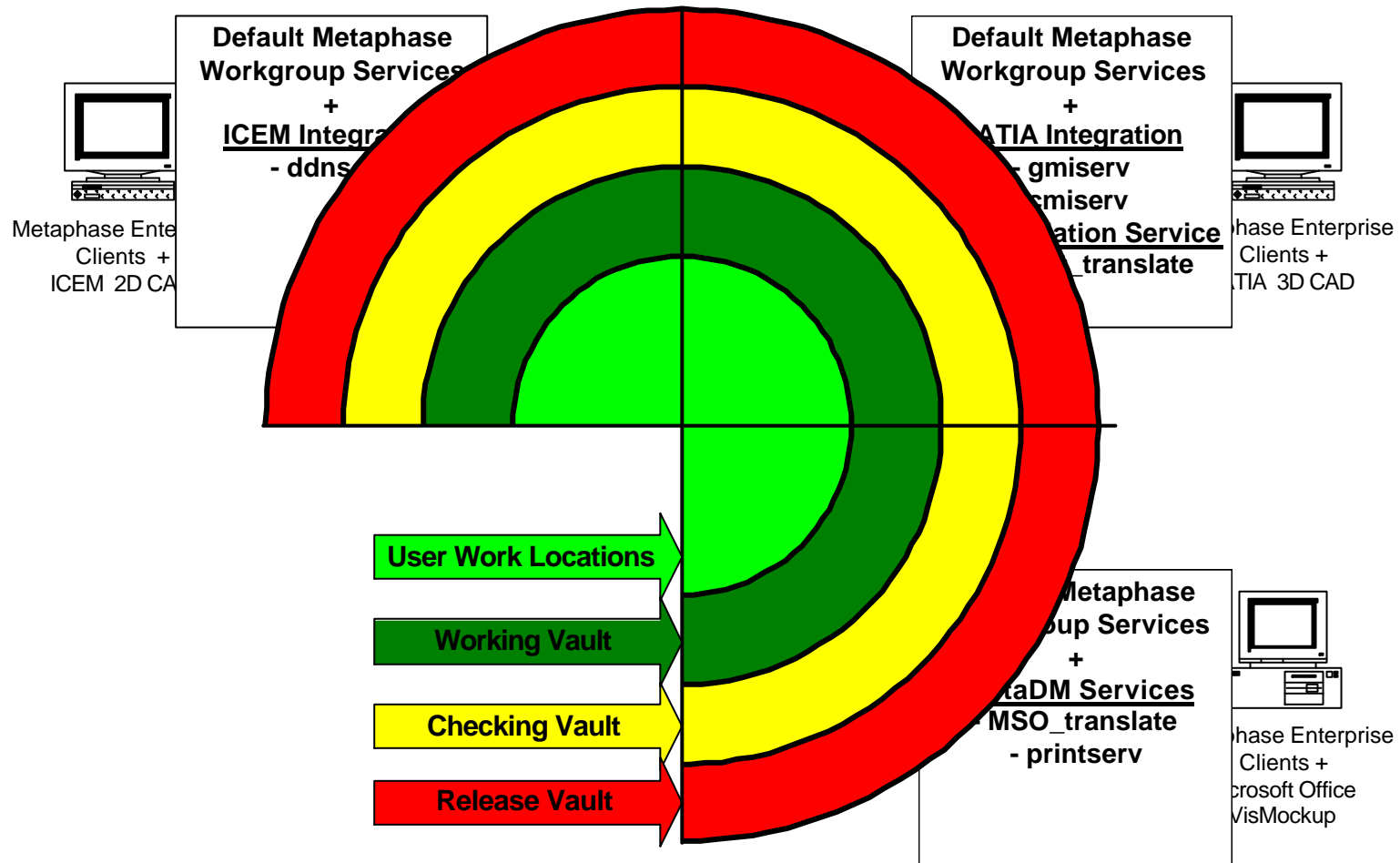


# IMPLEMENTATION PHILOSOPHY

- Maximize “Out of the Box” functionality
- Fully Support Legacy Processes
- Facilitate new Process Development
- Define functionality and requirements for Global PDM process harmonization



# NETWORK TOPOLOGY



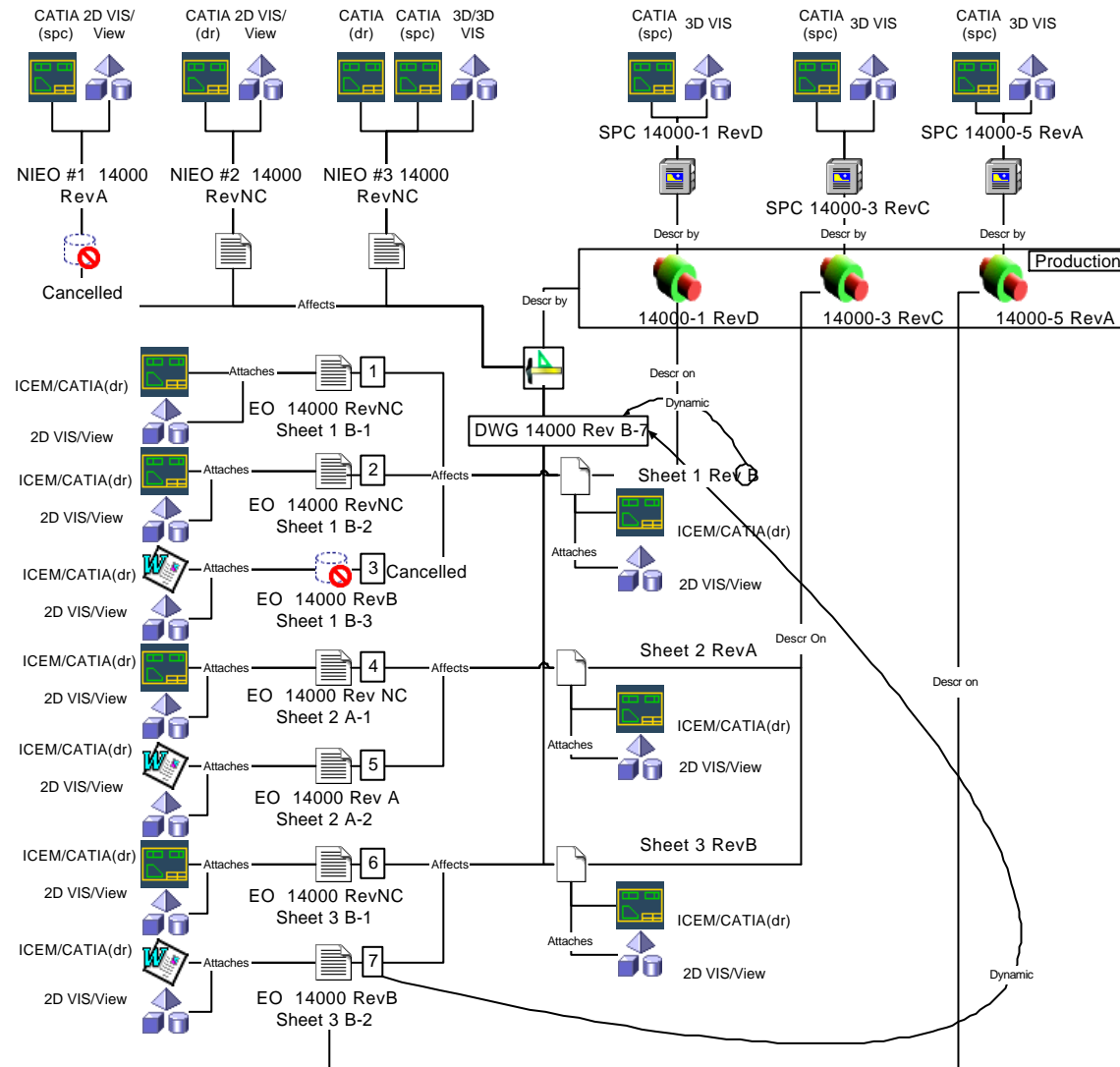


# IMPLEMENTATION PHASES

- Legacy Drawing Based Data Management
  - Data & File Migration
  - Release Life-Cycle Evolution
  - Document - File Associations
- Legacy Product Structure Capture
  - Data Migration
  - Product Structure Management
  - Part - Document Associations
- Deploy Part Based Data Management
  - Support for Large Assemblies and Part Instancing
  - Procedure to Support Kinematics
  - Solid Model - Assembly Associations



# DOMAIN DATA MODEL EVOLUTION



# CMI DATA MODEL EXTENSIONS

- Effectively extends CF default functionality
  - Can utilize the MetaDM Business Item Definition Control Infrastructure
    - File Creation
    - For File Naming
    - File Revisioning
- Supports both Document Based and Parts Based Data Management
  - Supports Implementation Philosophy
  - Allows Paced Implementation



# 20,000 TAKEOFFS ...



# ... 20,000 LANDINGS PER DAY

THE GLOBAL LANDING GEAR COMPANY



**Messier-Dowty**  
*sneema group*